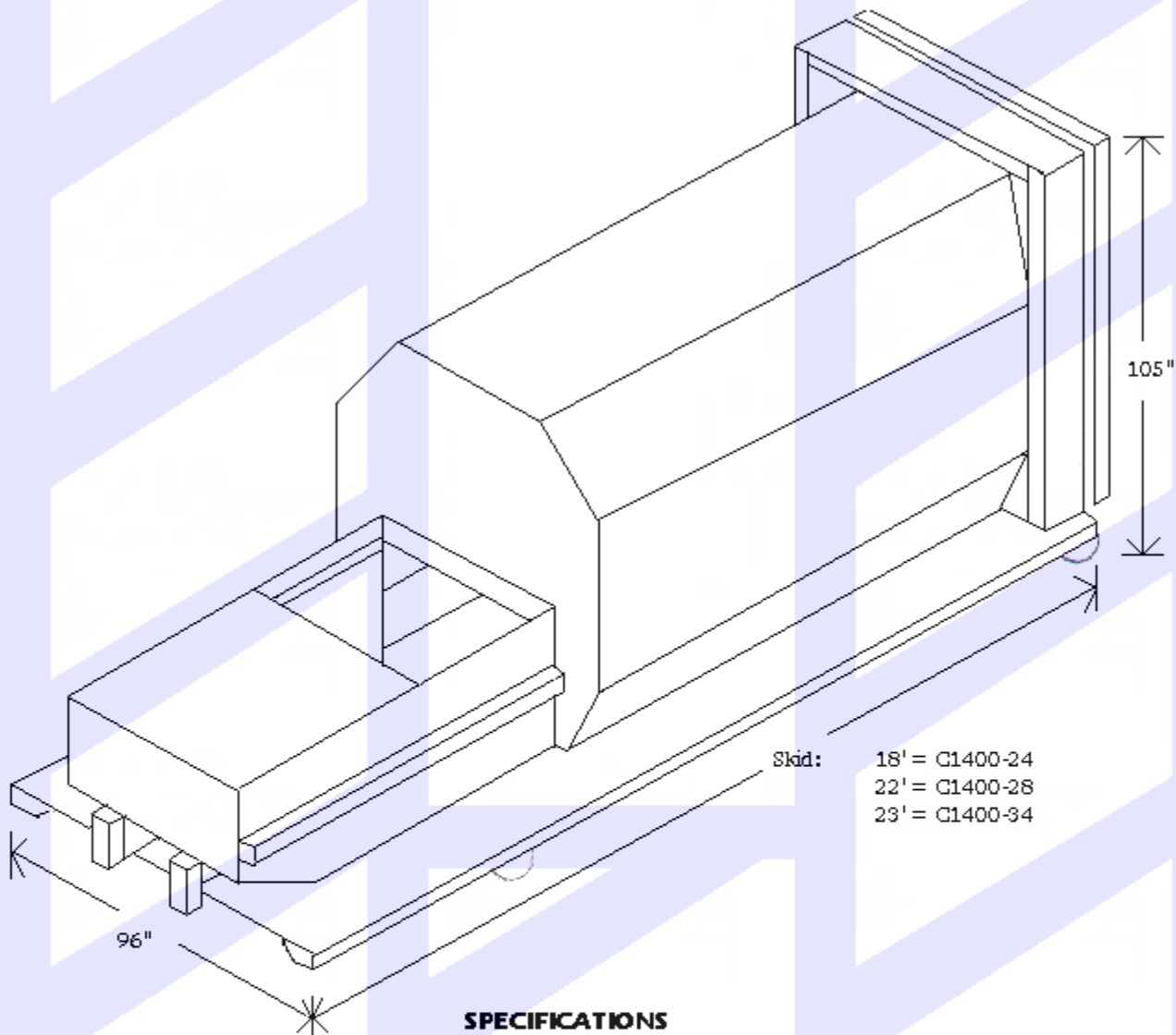


HYDRA-PAK Model C1400



MECHANICAL

Weight: 10,000 lbs.
Ram Face: 24" x 60"
Chamber: 1.5 Cu. Yd.
Clear-Top Opening: 38" x 60"

SPECIFICATIONS

HYDRAULICS

Compaction Force: 38,500 lbs.
Cycle Timer: 40 seconds
Pressure: 1,800 psi
Cylinder: 5 inch

ELECTRICAL

Motor: 10HP 3 Phase
Voltage: 208-416-575 Volts
Control: 110 Volts
E-Stop/Keyed On-Off/Start/Power On & Full Indicators

**Specifications are approximate and subject to change without notification.
Dimensions will vary with options in Compactor and Container size.**

HYDRA-PAK SYSTEMS LIMITED
2501 Beryl Road
Oakville, Ontario, L6J 7X3
Tel: 905-844-7844
email: look@hydrapaksystems.com