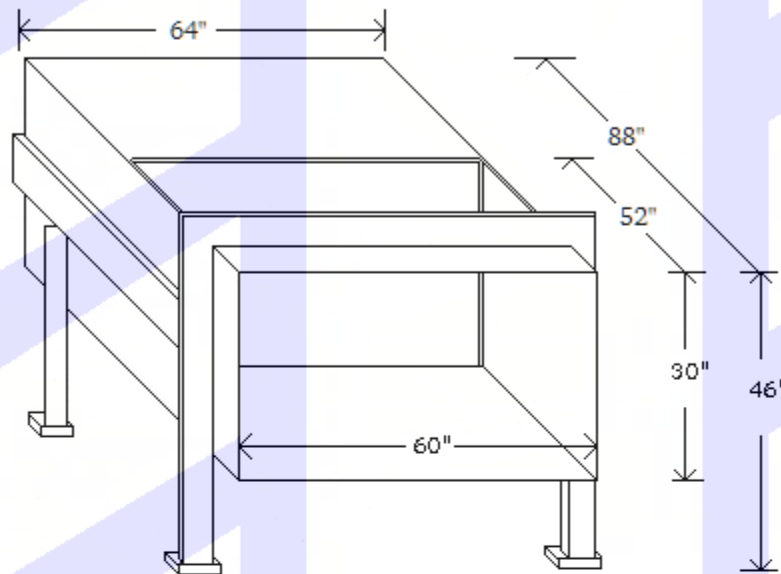


HYDRA-PAK Model 2000X



SPECIFICATIONS

MECHANICAL

Compactor Weight:	Gross 5,300 lbs.
Charging Chamber Cap:	1.8 Cu. Yds.
Chamber Opening:	52" x 60" x 30"
Ram Face Diameter:	60" x 24"
Ram Penetration:	12 inches

CONSTRUCTION

Sides 5/16", floor 3/8"
Hot Rolled Steel
Reinforced 3" x 6" x 5/16"

ELECTRICAL

Control System:	110 volts, 60 cycles
Motor:	10HP 3 Phase 60 Cycles, Power Range - 208-416-575 volts
Control Panel:	Fully wired with fuse protection, on-off switch, start-stop button, on indicator light, full indicator light, safety reset.

HYDRAULICS

Compaction Force:	55,500 lbs. maximum
Max. Displacement:	120 Cu. Yd. per hours
Cycle Time:	50 seconds
Pressure:	
Normal:	1,850 psi
Maximum:	2,000 psi
Pump Capacity:	10 G.P.M.
Cylinder:	2 x 4" bore 47 1/2" stroke
Ram Pressure:	30 psi
Oil Capacity:	20 gallons

**Specifications are approximate and subject to change without notification.
Dimensions will vary with options in Compactor and Container size.**

HYDRA-PAK SYSTEMS LIMITED
2501 Beryl Road
Oakville, Ontario, L6J 7X3
Tel: 905-844-7844
email: look@hydrapaksystems.com