

VULCAN CHAIN BLOCK

TWO YEAR WARRANTY

Superior quality

Approved ANSI B30.16

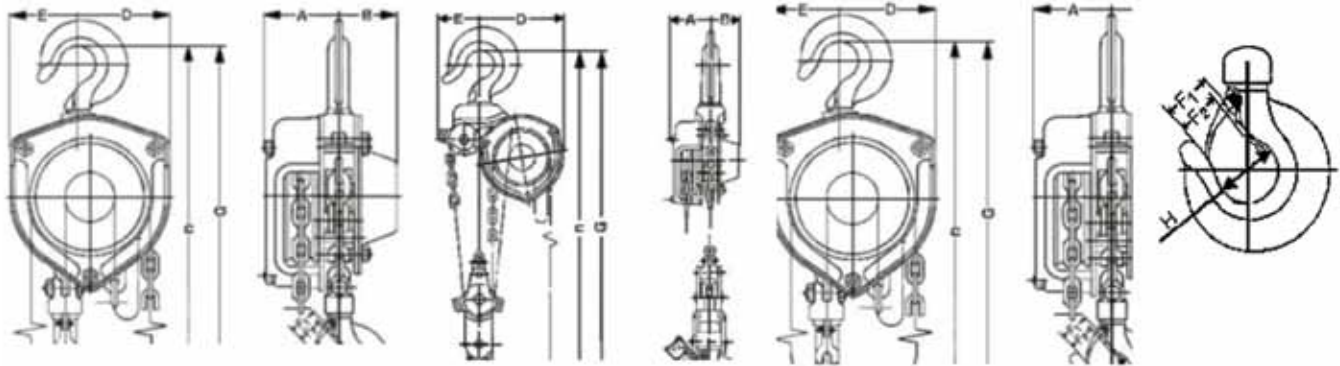
Overload protection available

TECHNICAL SHEET

- 1/2T to 20T
- High quality heat treated alloy steel load chain
- Light weight for portability
- 2 load chain guides
- Weston type brake
- Very low headroom
- Hooks are forged heat treated steel
- Hand chain is zinc treated and 3 foot less than lift
- Safety orange finish with capacity markings



TECHNICAL SPECS



MODEL	Cap. Tons	Safe working load	Standard lift	Pulling effort	No. of chain falls	G Headroom	Net weight
		lb	in	lb		in	lb
VB1/2T	1/2	1 100	10	46.2	1	11 1/4	17.6
VB1T	1	2 200	10	52.8	1	13 1/2	23.1
VB1.5T	1,5	3 520	10	64.9	1	15 1/4	33
VB2T	2	4 400	10	73.7	1	17 1/8	46.2
VB3T	3	6 930	10	83.6	1	20 1/4	67.1
VB5T	5	11 000	10	79.2	3	23	77
VB10T	10	22 000	10	94.6	3	31 1/8	167.2
VB15T	15	35 200	10	103.4	5	39 7/8	341
VB20T	20	44 000	10	99	6	40 5/8	550

Cap. Tons	Dimensions in					
	A	B	D	E	F1	F2
1/2	3 1/4	2 1/4	3 1/2	1 7/8	1 15/16	1 3/16
1	3 1/4	2 1/2	4	2 3/8	1 9/64	1 27/64
1.5	3 1/2	3	4 1/2	2 3/4	1 7/32	1 17/32
2	3 7/8	3 3/8	5 1/4	3 1/4	1 11/32	1 21/32
3	4 1/8	3 5/8	6 3/8	3 3/4	1 17/32	1 57/64
5	3 1/2	3	7 3/8	3 3/4	1 27/32	2 13/64
10	4 1/4	3 5/8	11 1/8	4 7/8	2 43/64	2 61/64
15	4 1/4	3 5/8	13 3/8	8 1/8	3 3/16	3 35/64
20	6 1/8	6 1/8	15 3/8	15 3/8	3 3/16	3 35/64