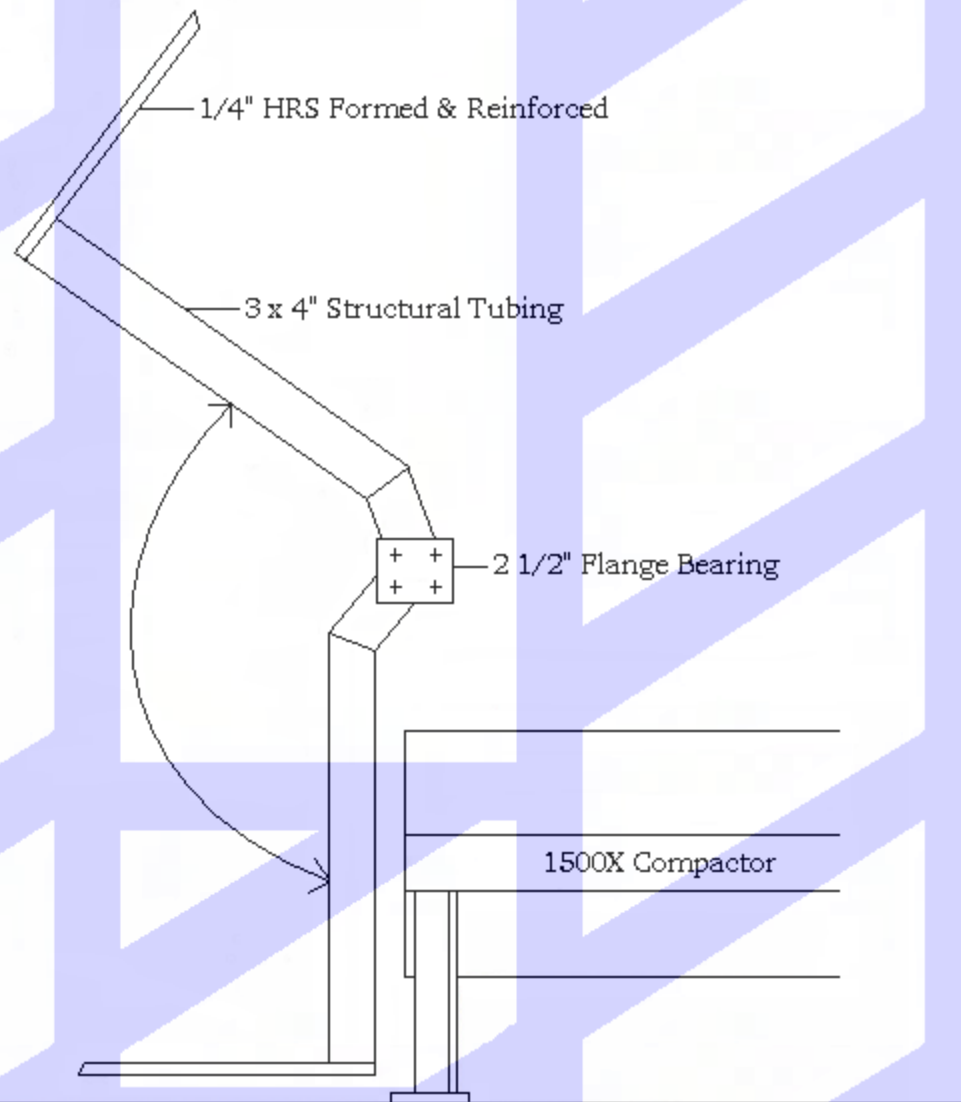


HYDRA-PAK Dumper System (Dumper Cart not shown)



Motor:	3HP
Pump:	3 GPM
Cylinder Bore:	3 1/2"
Stroke:	14"
Max. Pressure:	1000PSI

CONTROL PANEL
EMERGENCY STOP
KEYED ON/OFF
POWER ON INDICATOR
UP/DOWN SPRING RETURN ("DEAD-MAN" OPERATION)

**Specifications are approximate and subject to change without notification.
Dimensions may vary.**

HYDRA-PAK SYSTEMS LIMITED
2501 Beryl Road
Oakville, Ontario, L6J 7X3
Tel: 905-844-7844
email: look@hydrapaksystems.com