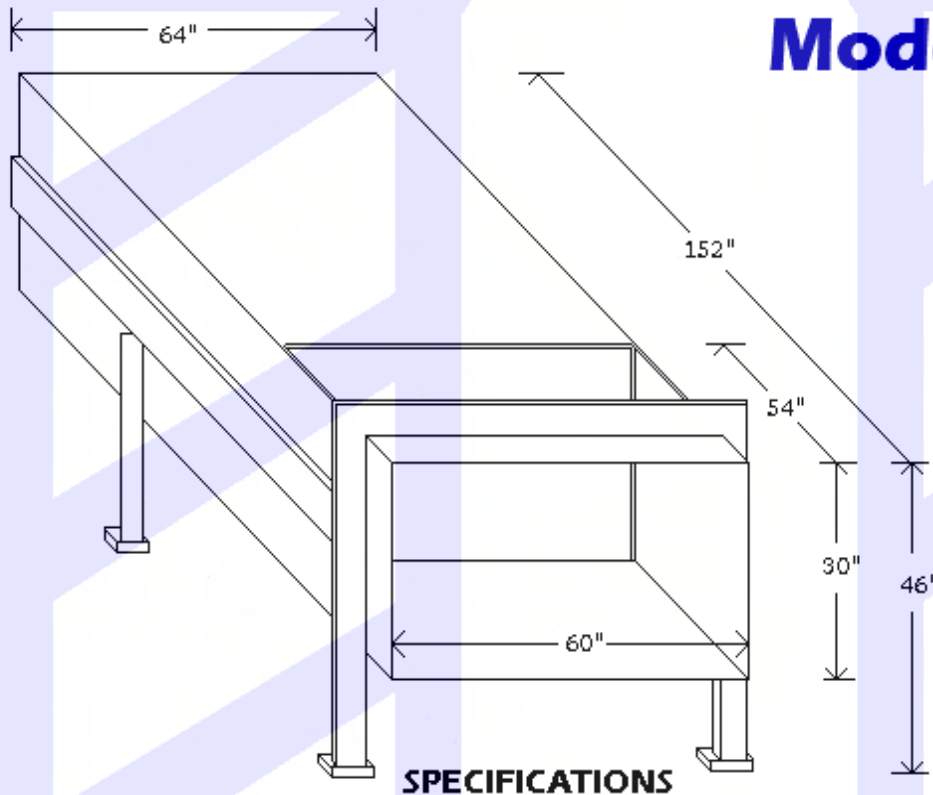


HYDRA-PAK Model 2000E



MECHANICAL

Compactor Weight:	6,690 lbs.
Charging Chamber Cap:	1.75 Cu. Yds.
Chamber Opening:	54" x 30" x 60"
Ram Face Diameter:	24" x 60"
Ram Penetration:	12 inches

CONSTRUCTION

Sides 1/4", floor 3/8"
Hot Rolled Steel
Reinforced 3" x 6" x 1/4"

ELECTRICAL

Control System:	110 volts, 60 cycles
Motor:	10HP 3 Phase 60 Cycles, Power Range - 208-416-230-460-575 volts
Control Panel:	Fully wired with fuse protection, on-off switch, start-stop button, on indicator light, full indicator light.

HYDRAULICS

Compaction Force:	51,000 lbs. maximum
Compaction Force:	46,600 lbs. normal
Max. Displacement:	160 Cu. Yd. per Hour
Cycle Time:	80 seconds
Pressure:	
Normal:	1,650 psi
Maximum:	1,800 psi
Pump Capacity:	10 G.P.M.
Cylinder:	One 6" bore, 69" stroke
Ram Pressure:	32 psi
Oil Capacity:	25 gallons

**Specifications are approximate and subject to change without notification.
Dimensions will vary with options in Compactor and Container size.**

HYDRA-PAK SYSTEMS LIMITED
2501 Beryl Road
Oakville, Ontario, L6J 7X3
Tel: 905-844-7844
email: look@hydrapaksystems.com