



# AIR FLOW TECHNOLOGY

Filtration Group®

## SERIES CC50 PAINT OVERSPRAY CUBES



The Series CC50 extended surface 2 pocket cube filter is Air Flow Technology's economical solution for paint overspray collection applications. Constructed of a dual density single ply of environmentally protective 100% polyester media, the two pocket filter is heat-sealed to a heavy gauge metal support frame. This sturdy combination results in a filter that has low initial resistance and extremely high paint holding capacity.

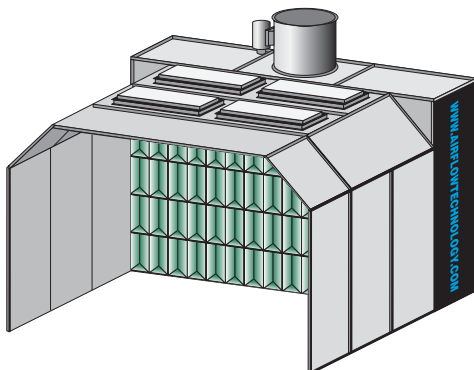
**Media Design** - The dual density Series CC50 media consists of a coarse layer to facilitate overspray collection and retention. In the second layer, fibers are more dense, and trap finer paint particles. When tested, the Series CC50 media maintains efficiency 99% and greater on 62% high solids. When installed, the media compresses to form a self seal. Headered versions are also available for paint holding capacity.

**Air Flow Technology's Customer Guarantee** - Air Flow Technology guarantees fast delivery, national distribution and competitive pricing. Air Flow Technology is a full line auto refinish filter manufacturer. You need make only one call for all your filter requirements.

### Available Styles and Sizes

For applications requiring economical paint overspray collection, Air Flow Technology's Series CC50 2 pocket cube filters are available in 15" depth in the following sizes. From intake air to emissions control, Air Flow Technology can help you identify the most efficient filtration combination for your particular booth.

- 16" X 20 X 15" 2 Pkt Cube
- 16" X 25 X 15" 2 Pkt Cube
- 20" X 20 X 15" 2 Pkt Cube
- 20" X 25 X 15" 2 Pkt Cube
- 24" X 24 X 15" 2 Pkt Cube



# PERFORMANCE DATA

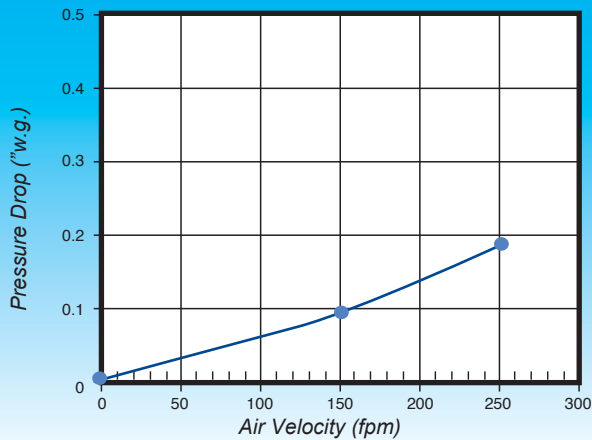
Air Flow Technology provides independent test data on particle size efficiency and initial resistance to rated air flow on all of its paint filtration products. This information is provided to assist you in the proper selection of a filter system for your particular application. Whether your requirement is low static pressure (resistance) or high performance, you can depend on the independent data provided to guide your selection process to the proper AFT product.

## Independent Test Data

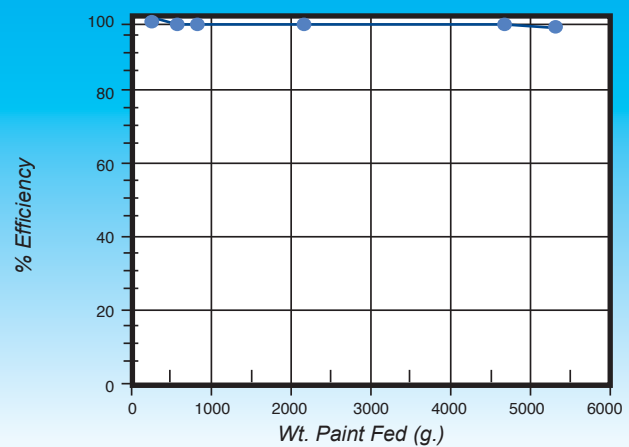
**Rated Air Flow\***  
**Initial Resistance\***  
**Final Resistance\***  
**Average Removal Efficiency**  
**Paint Holding Capacity**

Unit	Results
fpm	150
"w.g.	0.02
"w.g.	0.08
%	99
g/lbs	3108/6.9

### Initial Resistance



### % Removal Efficiency



\*20" X 20" filter tested per ASHRAE 52.2, Test Aerosol KCl, Neutralized

For other quality HVAC, Industrial Finishing, and Paint Spray Booth Filtration Products, refer to HVAC Filtration All Product Bulletin HPB1, and Paint Spray Booth Filtration All Product Bulletin PPB1.



## AIR FLOW TECHNOLOGY

Filtration Group®

Kenosha, WI • Torrance, CA • York, SC  
(O) 800.537.5454  
(F) 262.657.2210  
(E) finishing-inquiry@filtrationgroup.com

[www.filtrationgroup.com/finishing](http://www.filtrationgroup.com/finishing)  
[www.airflowtechnology.com](http://www.airflowtechnology.com)