

HS802



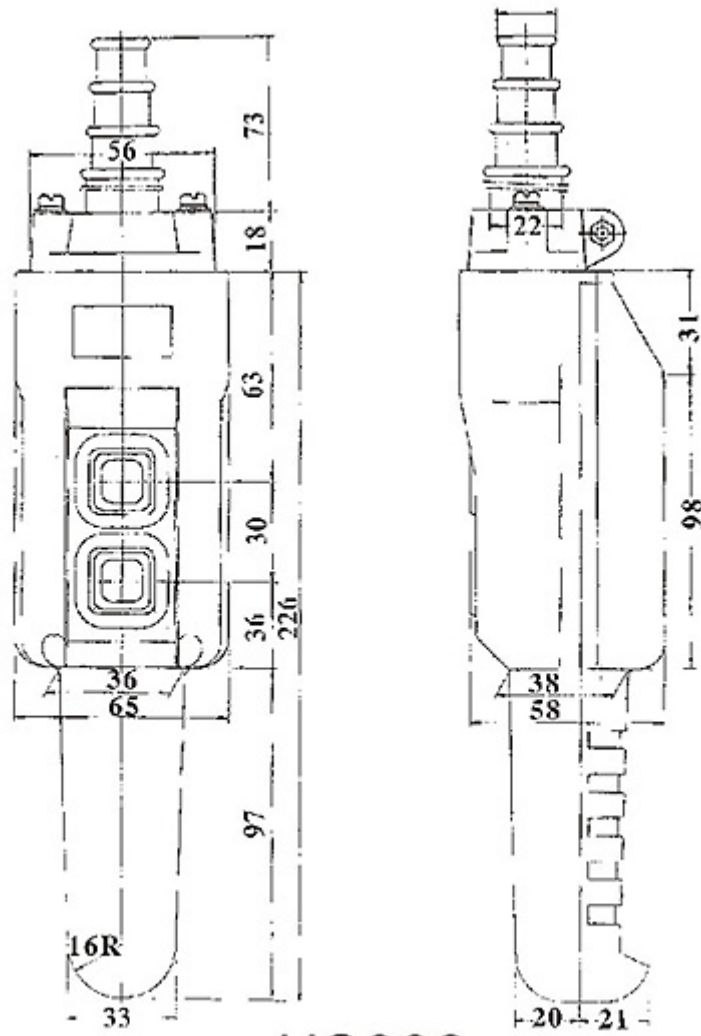
Product No.: HS802

The HS802 is a compact, pistol-grip design two-button, without Emergency stop switch pendant station.

Features

1. An especially ergonomic design-less than three inches wide-weighing only 10 ounces
2. Construction of high impact ABS, and high visibility safety yellow
3. NEMA 4 waterproof rating
4. Single-speed 5 amp, 250 volt contact block
5. Multi-diameter cable bushing

Product Dimensions of HS802

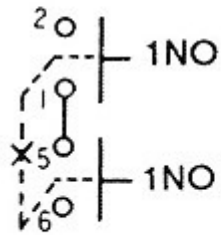


HS802

HS802 1-speed contact arrangement and image

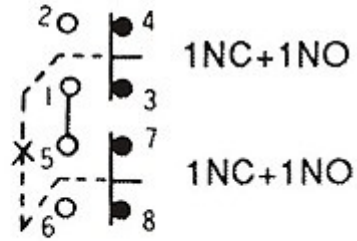
Contact arrangement

N80C 20



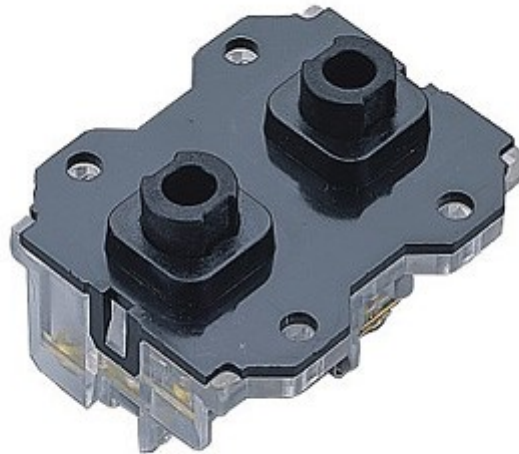
34294

N80C 22



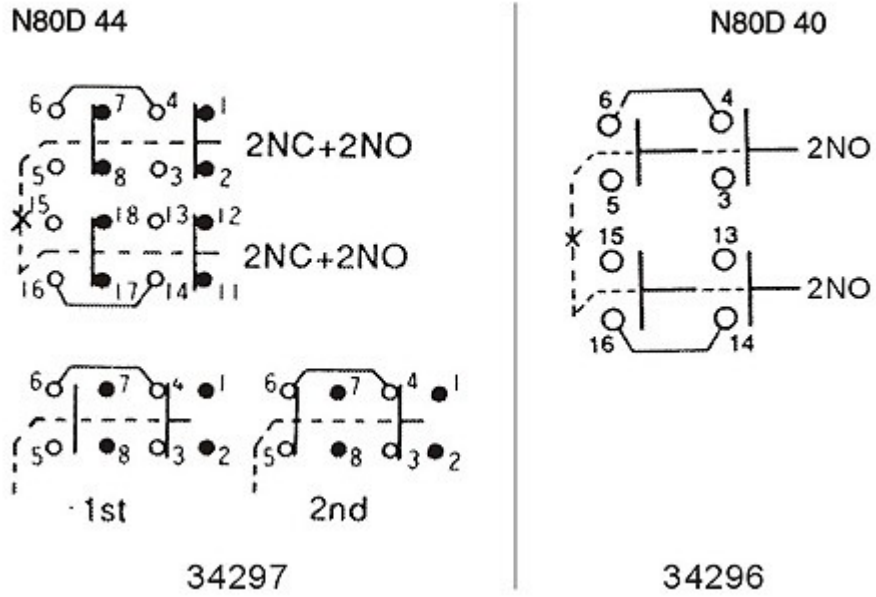
34295

1-speed contact image



HS802 2-speed contact arrangement and image

Contact arrangement



2-speed contact image

