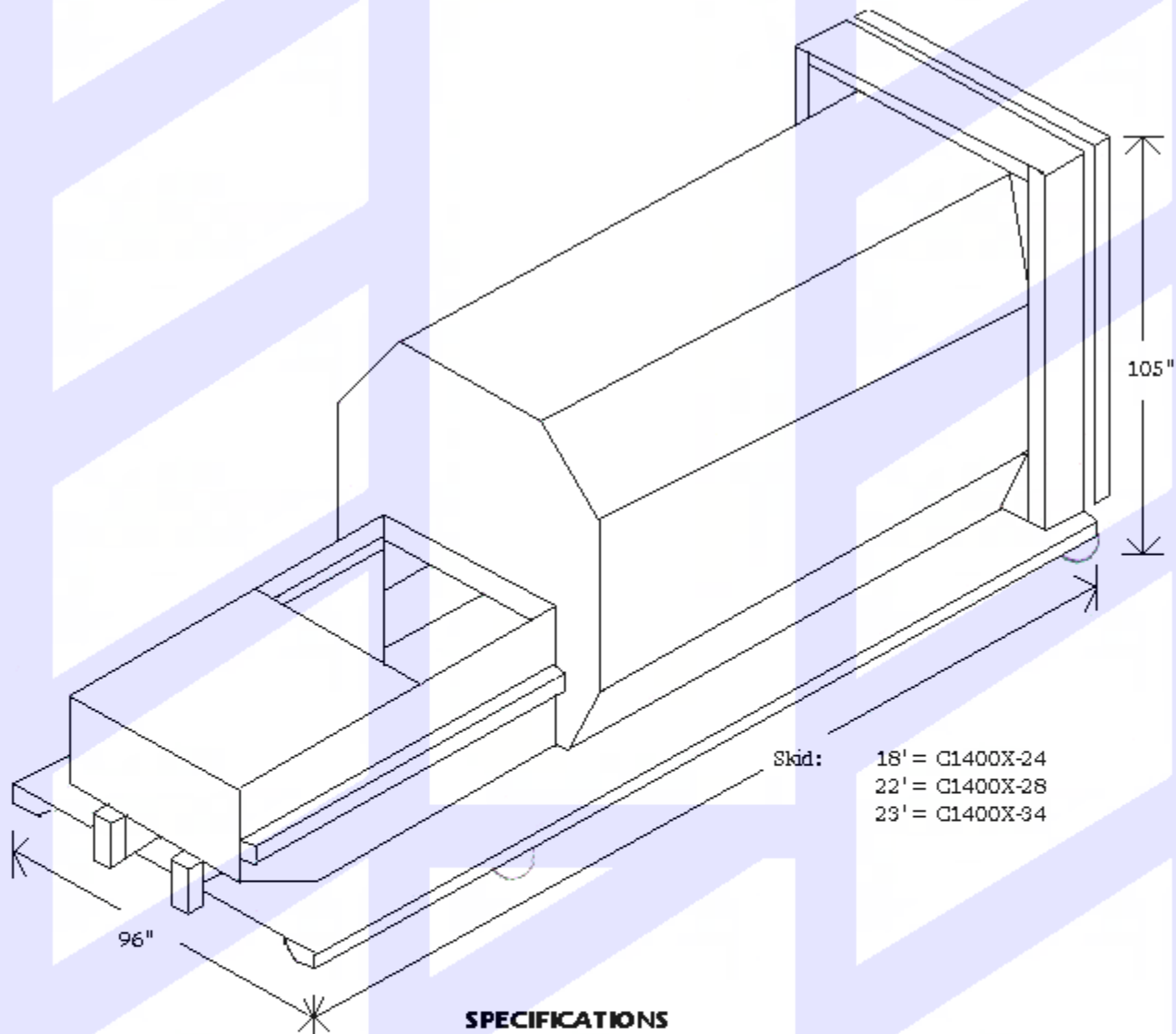


# HYDRA-PAK Model C1400X



## SPECIFICATIONS

### MECHANICAL

Weight:	10,000 lbs.
Ram Face:	24" x 60"
Chamber:	1.5 Cu. Yd.
Clear-Top Opening:	38" x 60"

### HYDRAULICS

Compaction Force:	38,500 lbs.
Cycle Timer:	40 seconds
Pressure:	1,600 psi
Cylinder:	2 x 4 inch

### ELECTRICAL

Motor:	10HP 3 Phase
Voltage:	208-416-575 Volts
Control:	110 Volts
E-Stop/Keyed On-Off/Start/Power On & Full Indicators	

**Specifications are approximate and subject to change without notification.  
Dimensions will vary with options in Compactor and Container size.**

HYDRA-PAK SYSTEMS LIMITED  
2501 Beryl Road  
Oakville, Ontario, L6J 7X3  
Tel: 905-844-7844  
email: look@hydrapaksystems.com