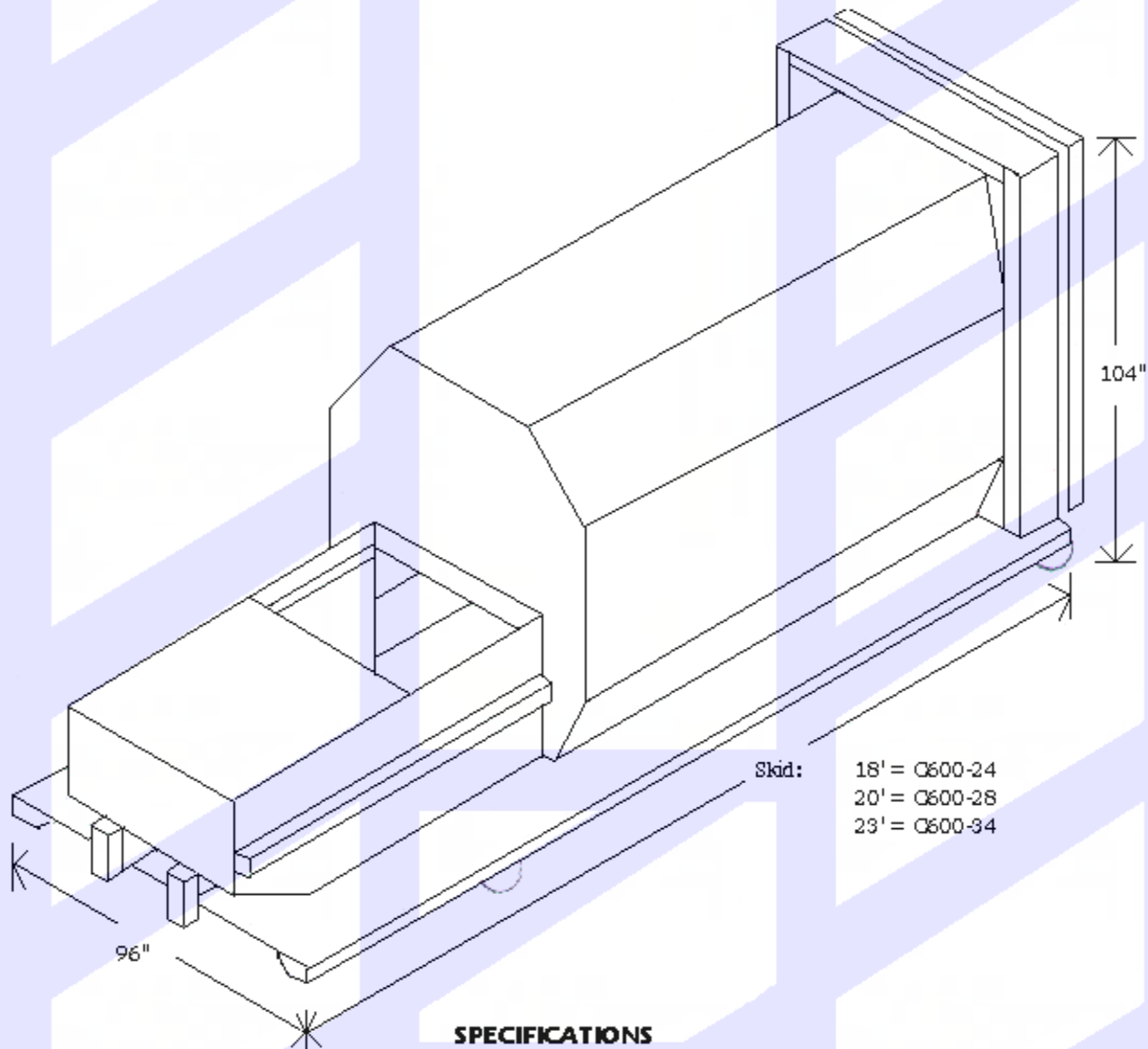


HYDRA-PAK Model C600



SPECIFICATIONS

MECHANICAL

Weight: 8,000 lbs.
 Ram Face: 24" x 36"
 Chamber: 0.75 Cu. Yd.
 Clear-Top Opening: 30" x 36"

HYDRAULICS

Compaction Force: 22,500 lbs.
 Cycle Timer: 40 seconds
 Pressure: 1,500 psi
 Cylinder: 4 inch

ELECTRICAL

Motor: 5HP 3 Phase
 Voltage: 208-416-575 Volts
 Control: 110 Volts
 E-Stop/Keyed On-Off/Start/Power On & Full Indicators

**Specifications are approximate and subject to change without notification.
 Dimensions will vary with options in Compactor and Container size.**

HYDRA-PAK SYSTEMS LIMITED

2501 Beryl Road

Oakville, Ontario, L6J 7X3

Tel: 905-844-7844

email: look@hydrapaksystems.com