

## HS844



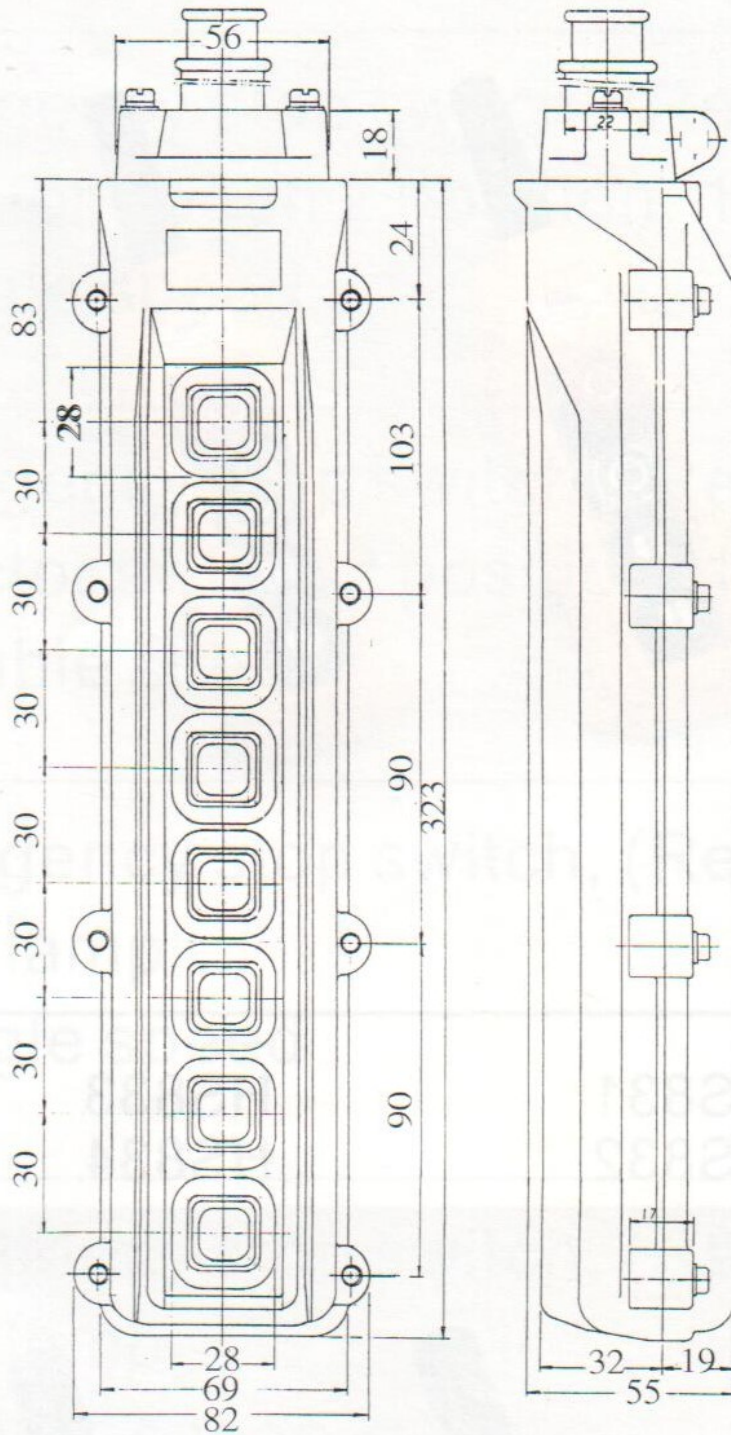
Product No.: HS844

**The HS844** is a compact pendant station.

### **Features**

1. Configured with an Emergency stop switch and one pilot lamp (110V), six double speed push buttons (three pairs)
2. Construction of high impact ABS, and high visibility safety yellow
3. NEMA 4 waterproof rating
4. Contact switch rated 5 amp at 250VAC.

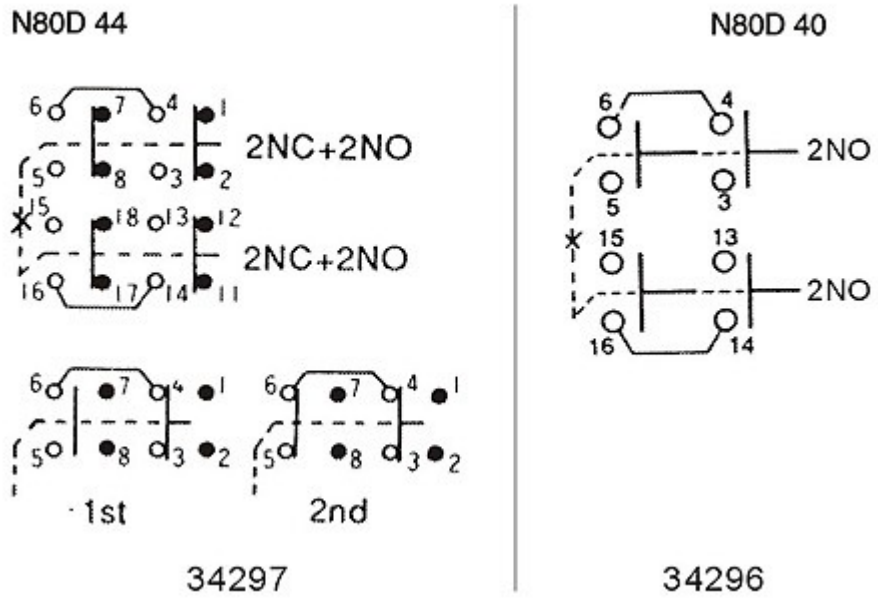
Product Dimensions of HS844 (Same as HS84)



HS84

HS844 2-speed contact arrangement and image

Contact arrangement



2-speed contact image

