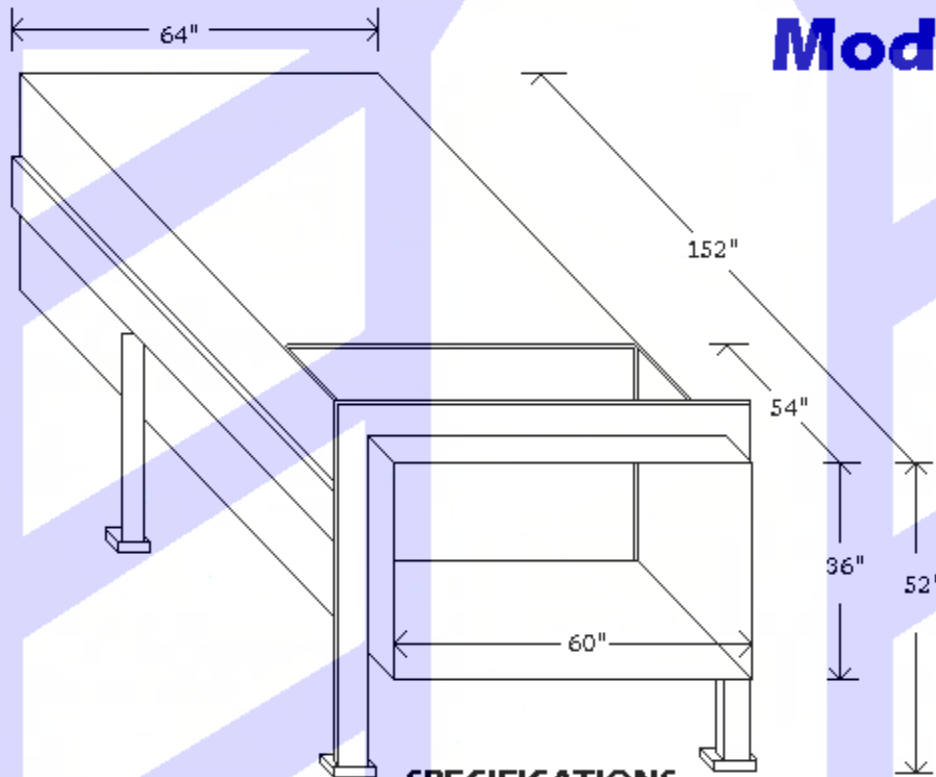


# HYDRA-PAK Model 2000HS



## SPECIFICATIONS

### MECHANICAL

|                       |                 |
|-----------------------|-----------------|
| Compactor Weight:     | 7,400 lbs       |
| Charging Chamber Cap: | 2.08 Cu. Yds.   |
| Chamber Opening:      | 54" x 36" x 60" |
| Ram Face Diameter:    | 30" x 60"       |
| Ram Penetration:      | 15 inches       |

### CONSTRUCTION

|                           |      |       |      |
|---------------------------|------|-------|------|
| Sides                     | 1/4" | floor | 3/8" |
| Hot Rolled Steel          |      |       |      |
| Reinforced 3" x 6" x 1/4" |      |       |      |

### ELECTRICAL

|                 |   |
|-----------------|---|
| Control System: | 110 volts, 60 cycles  |
| Motor:          | 15HP 3 Phase 60 Cycles, Power Range - 208-416-230-460-575 volts   |
| Control Panel:  | Fully wired with fuse protection, on-off switch, start-stop button, on indicator light, full indicator light. |

### HYDRAULICS

|                    |                            |
|--------------------|----------------------------|
| Compaction Force:  | 56,000 lbs. maximum        |
| Compaction Force:  | 51,000 lbs. normal         |
| Max. Displacement: | 430 Cu. Yd. per Hour       |
| Cycle Time:        | 28 seconds                 |
| Pressure:          |                            |
| Normal:            | 1,800 psi                  |
| Maximum:           | 2,000 psi                  |
| Pump Capacity:     | 30 G.P.M.                  |
| Cylinder:          | One 6" bore,<br>69" stroke |
| Ram Pressure:      | 30 psi                     |
| Oil Capacity:      | 50 gallons                 |

**Specifications are approximate and subject to change without notification.  
Dimensions will vary with options in Compactor and Container size.**

HYDRA-PAK SYSTEMS LIMITED  
2501 Beryl Road  
Oakville, Ontario, L6J 7X3  
Tel: 905-844-7844  
email: look@hydrapaksystems.com